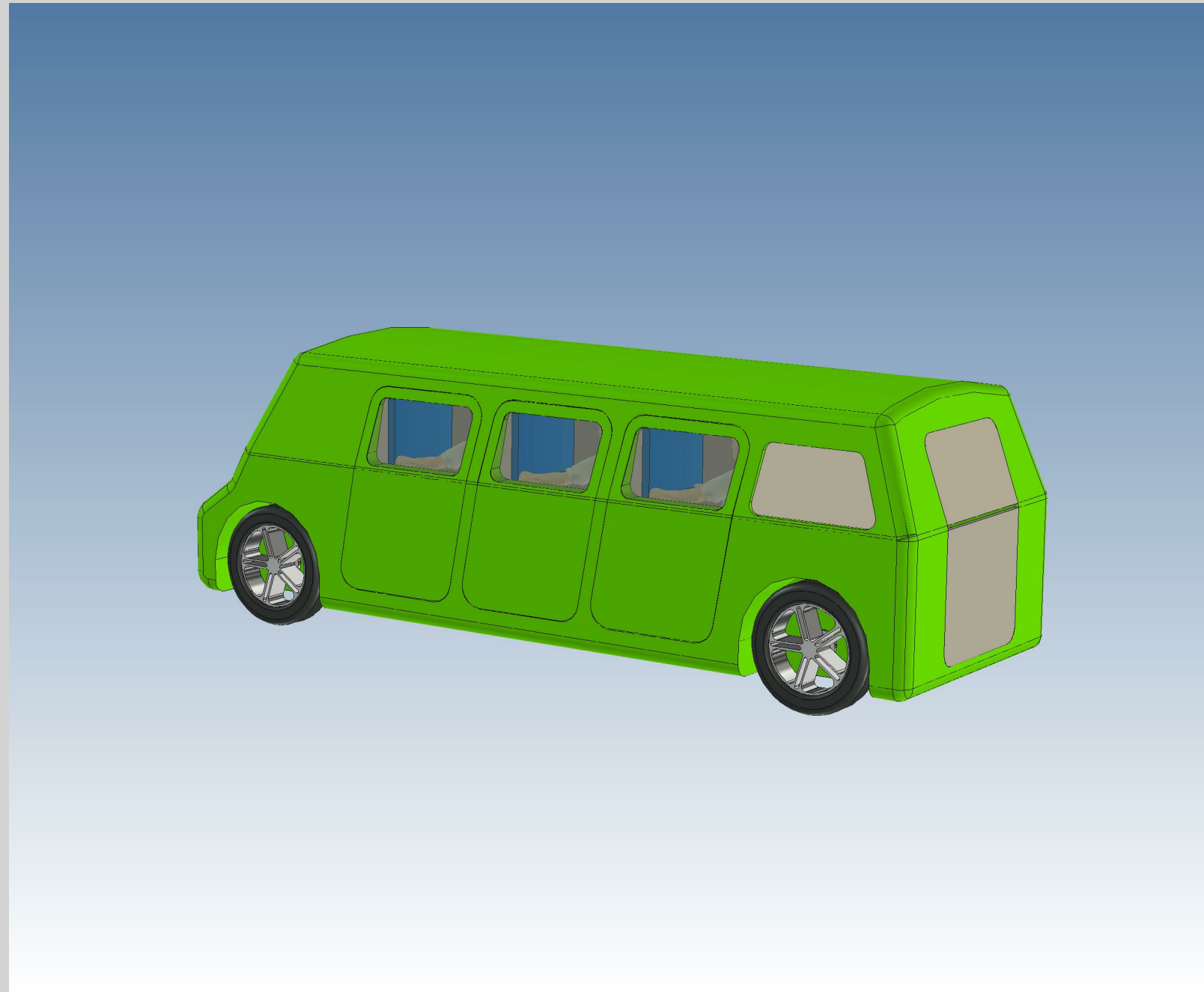


Part List

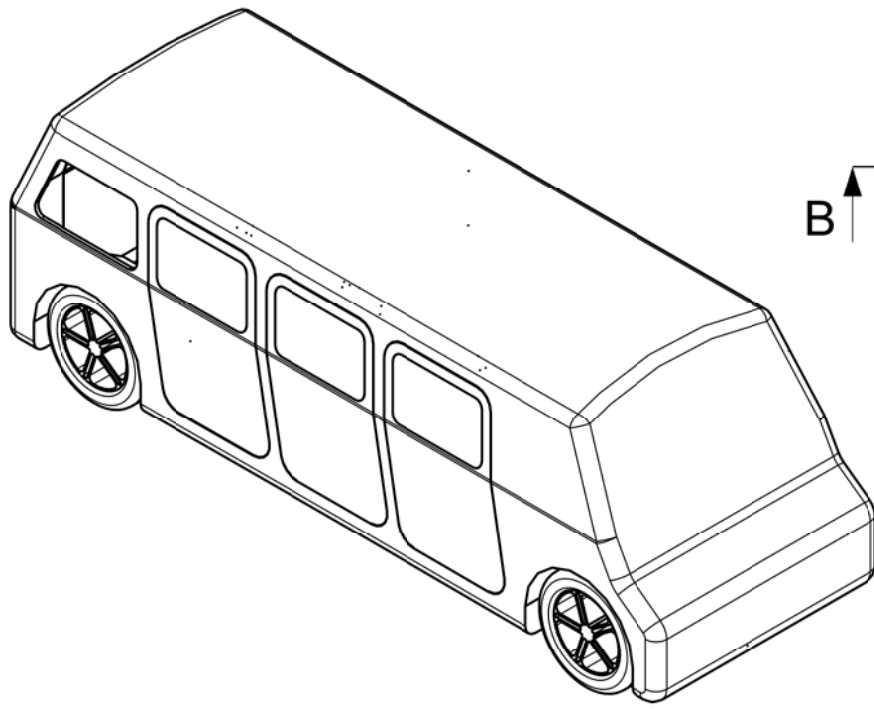
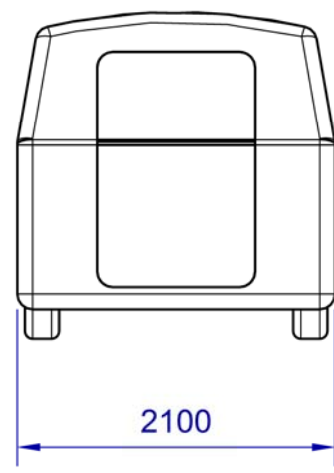
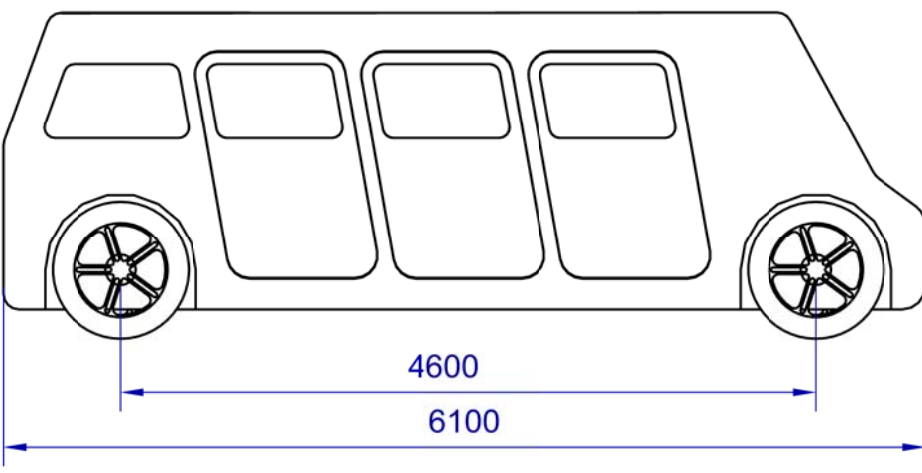
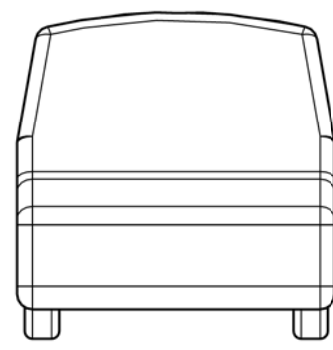
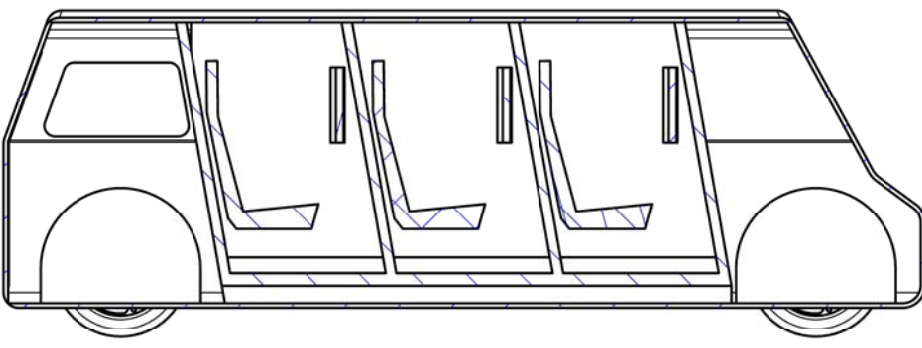


Part Name

Description

Material

1 2 3 4 5 6 7 8



This document and its contents are the exclusive property of "Company" and may not be copied, reproduced, transmitted or communicated to a third party, or used for any purpose without written permission.

A3 ISO E	IRONCAD 2D drawing 3D file available 	General Tolerances acc to: ISO 2768-1 medium	File Name: Cabibus.icd			Last saved: 2017-10-09 15:33
			Scale: 1:50	Drawn by: rs	Checked by: ...	Approved by: ...
CABIBUS					Sheet No: 1 (1)	Rev. ...
					Doc. No:	

A
B
C
D
E
F